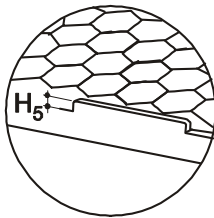
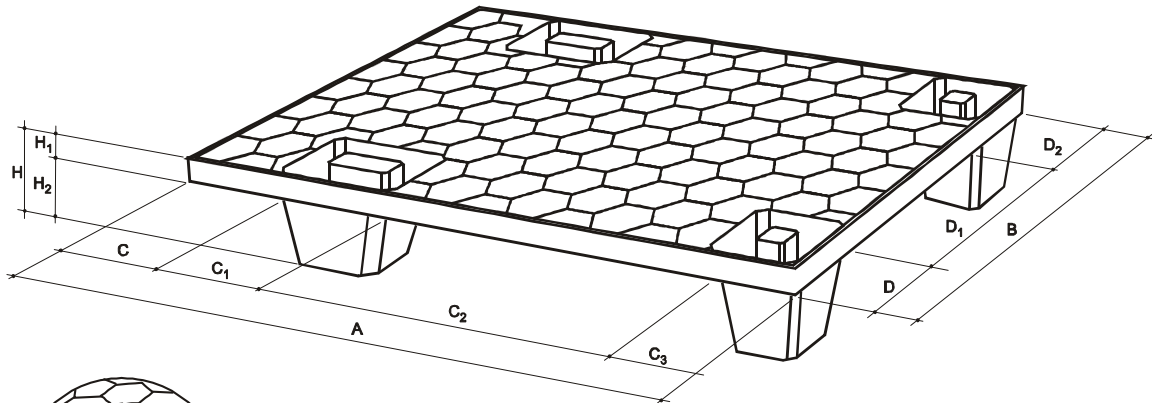


PALLET My-A 400 x 600

NESTABLE - MEDIUM PAYLOADS – ALVEOLAR GEOMETRY OF THE SURFACE



In the version with borders: $H_5 = 8 \text{ mm}$

PALLET My-A 400 x 600			STATIC CAPACITY kg	DYNAMIC CAPACITY kg
DIMENSIONS mm				
A	600	1000	400	
B	400			
H	125			
H₁	25			
H₂	100			
C	90			
C₁	120			
C₂	280			
C₃	110			
D	110			
D₁	180			
D₂	110			

The capacity is valid for filmed charge equally distributed on the pallet surface

The **Pallet My-A** series is now complete with the **400x600** measure, $\frac{1}{4}$ of the standard European size. The feet are deliberately asymmetric to allow the use with forklift. Thanks to the honeycomb structure the **Pallets My-A** are very strong.

